



US00D731861S

(12) **United States Design Patent**  
**Partiyeli**

(10) **Patent No.:** **US D731,861 S**

(45) **Date of Patent:** **\*\* Jun. 16, 2015**

(54) **GREEK YOGURT MAKER OR STRAINER**

(71) Applicant: **Farshid Partiyeli**, Los Angeles, CA  
(US)

(72) Inventor: **Farshid Partiyeli**, Los Angeles, CA  
(US)

(\*\*) Term: **14 Years**

(21) Appl. No.: **29/475,091**

(22) Filed: **Nov. 27, 2013**

(51) **LOC (10) Cl.** ..... **07-04**

(52) **U.S. Cl.**  
USPC ..... **D7/667**

(58) **Field of Classification Search**  
USPC ..... D7/370, 667; 210/464, 473, 499, 498;  
220/607, 676, 490, 508  
CPC ..... B01D 23/00  
See application file for complete search history.

(56) **References Cited**

**U.S. PATENT DOCUMENTS**

D170,676 S *	10/1953	Bourne-Vanneck	.....	D7/667
D262,857 S *	2/1982	Ansel	.....	D7/370
D279,379 S *	6/1985	Uram	.....	D15/138
4,680,117 A *	7/1987	Freeman	.....	210/469
D353,303 S *	12/1994	Davis	.....	D7/542
5,373,779 A *	12/1994	Grusin	.....	99/458
6,546,849 B1 *	4/2003	Shimazaki	.....	99/413

D514,398 S *	2/2006	Feil	.....	D7/667
7,044,292 B2 *	5/2006	Nall	.....	206/216
7,467,718 B1 *	12/2008	Donohue	.....	210/464
D653,074 S *	1/2012	Difante	.....	D7/357
D658,425 S *	5/2012	Difante	.....	D7/357
2014/0102961 A1 *	4/2014	Verveniotis	.....	210/91

\* cited by examiner

*Primary Examiner* — Michael A Pratt

(74) *Attorney, Agent, or Firm* — Jafari Law Group, Inc.;  
David V. Jafari; Saul Acherman

(57) **CLAIM**

The ornamental design for a Greek yogurt maker or strainer,  
as shown and described.

**DESCRIPTION**

FIG. 1 illustrates a perspective view of the ornamental Greek yogurt maker or strainer showing the new design;  
FIG. 2 illustrates a side view thereof.  
FIG. 3 illustrates a side view thereof, with the seal and strainer exploded.  
FIG. 4 illustrates a top view thereof, with the seal and strainer exploded.  
FIG. 5 illustrates a bottom view thereof, with the seal and strainer exploded; and,  
FIG. 6 illustrates a cross sectional view thereof, taken on line 1-1 of FIG. 1.

The broken lines showing of aspects of the claimed design in FIGS. 4 and 6 is included for the purpose of illustrating environment and forms no part of the claimed design.

**1 Claim, 6 Drawing Sheets**

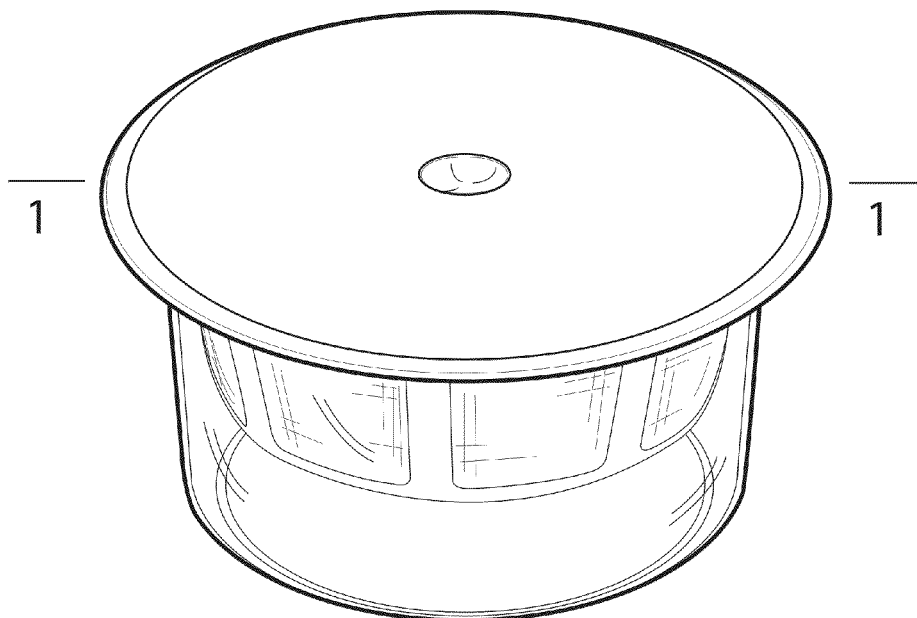


FIG. 1

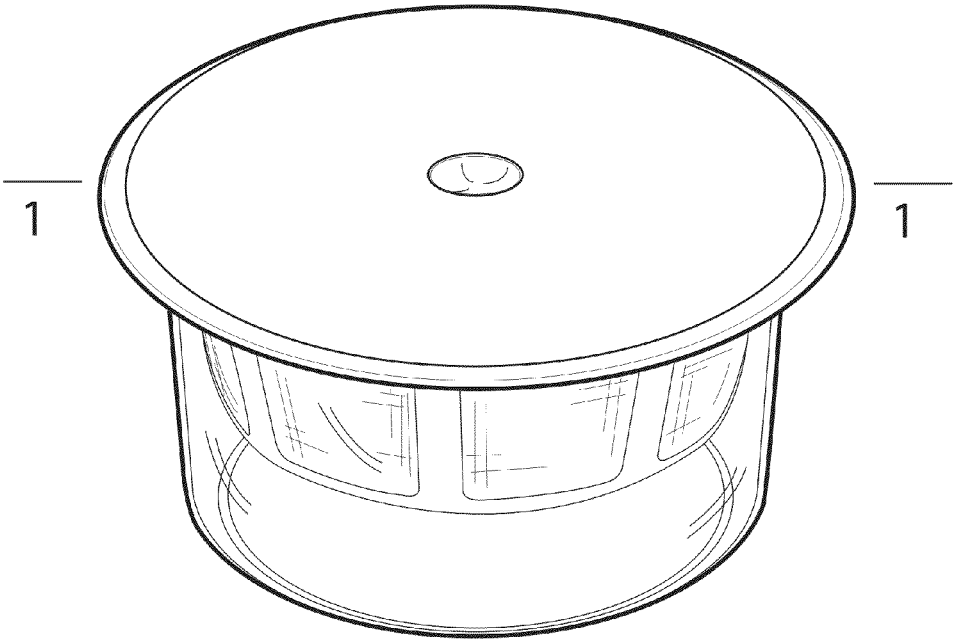
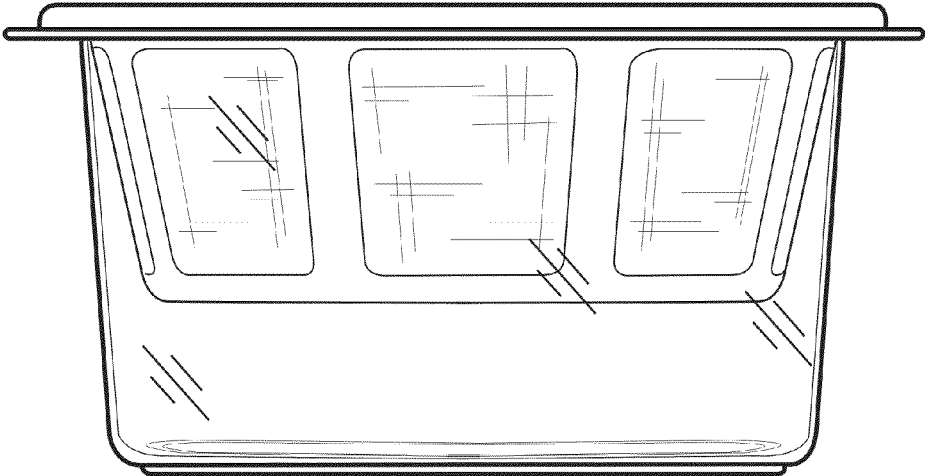
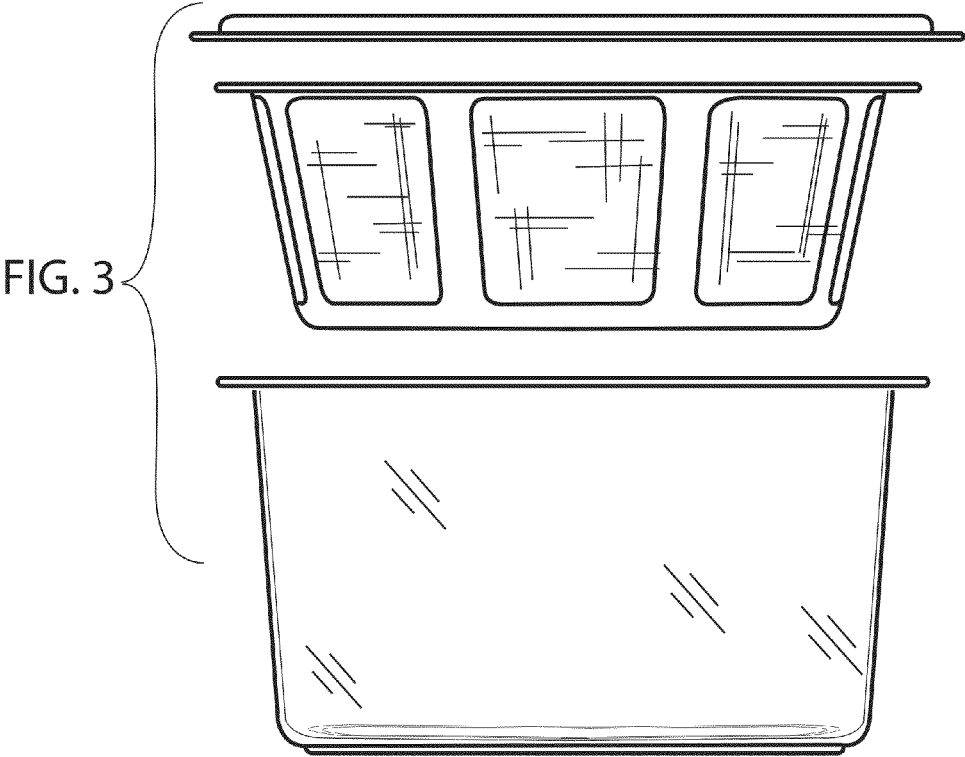


FIG. 2





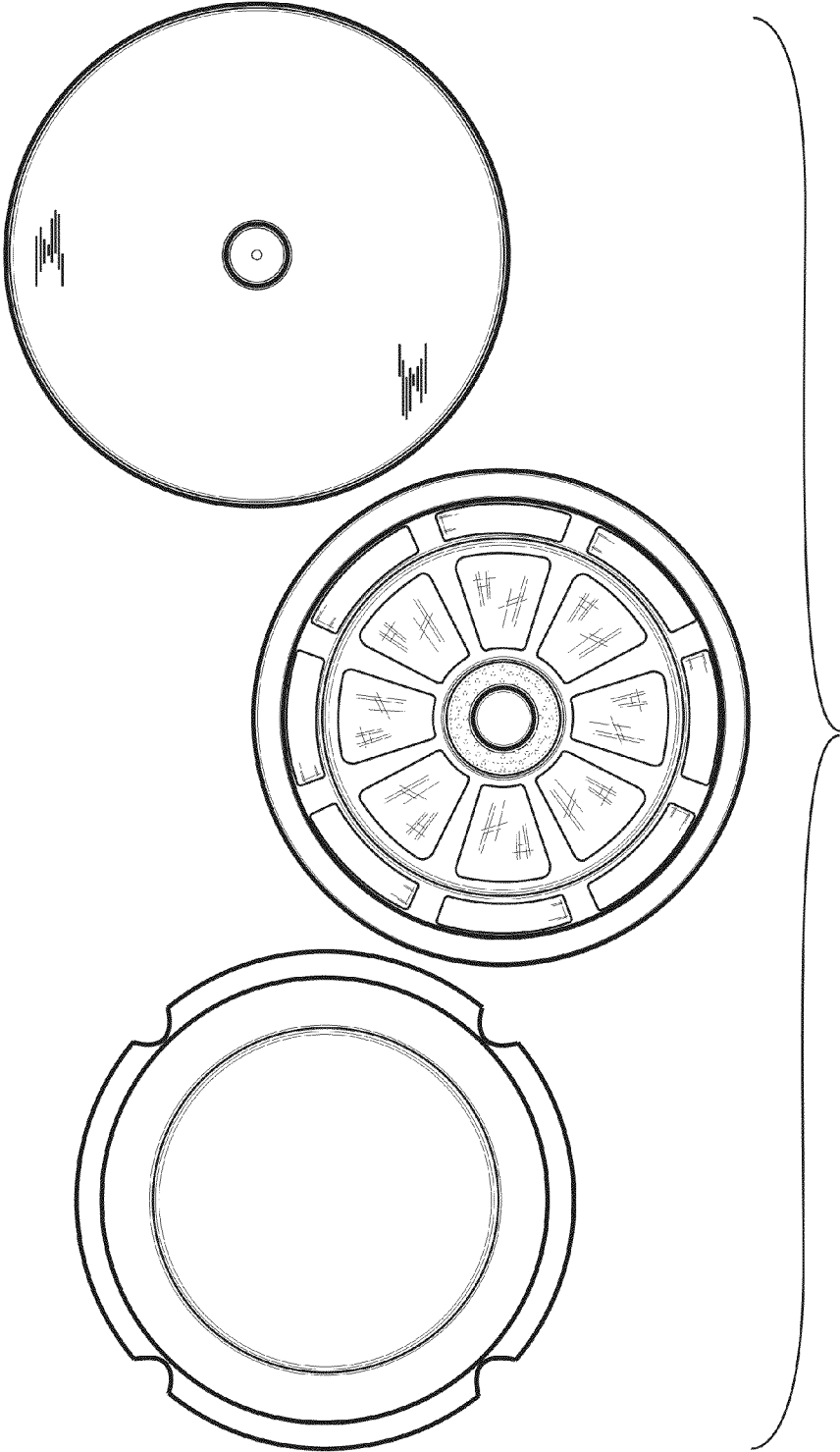


FIG. 4

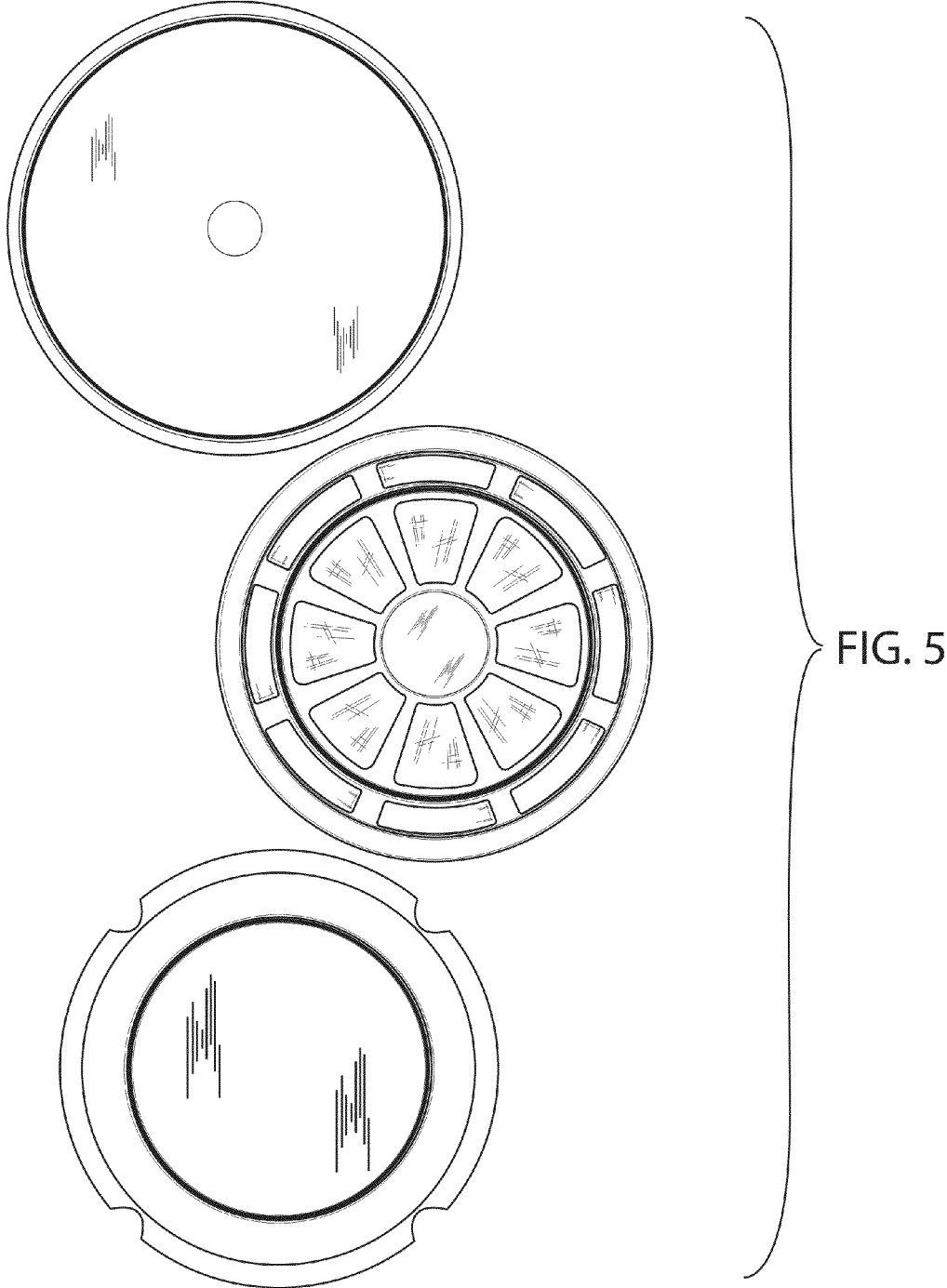


FIG. 6

