



(12) **United States Design Patent**
Tehranchi et al.

(10) **Patent No.:** **US D735,666 S**
(45) **Date of Patent:** **** Aug. 4, 2015**

- (54) **GATE OPERATOR HOUSING**
- (71) Applicant: **VIKING ACCESS SYSTEMS, LLC**,
IRVINE, CA (US)
- (72) Inventors: **Ali Tehranchi**, Irvine, CA (US); **Daniel Perez**, Irvine, CA (US); **Hassan Taheri**, Irvine, CA (US)
- (73) Assignee: **Viking Access Systems, LLC**, Irvine, CA (US)
- (**) Term: **14 Years**

D502,477	S	*	3/2005	Beadle et al.	D15/148
D514,146	S	*	1/2006	Haneball	D15/143
7,000,353	B2	*	2/2006	Bosio	49/139
D522,546	S	*	6/2006	Beadle et al.	D15/148
D557,211	S	*	12/2007	Marchetto et al.	D13/112
D577,753	S	*	9/2008	Lund et al.	D15/143
D589,991	S	*	4/2009	Chen	D15/143
D594,487	S	*	6/2009	Lund et al.	D15/143
D614,144	S	*	4/2010	Arosio	D13/166
D624,101	S	*	9/2010	Tseng	D15/143
D624,102	S	*	9/2010	Tseng	D15/143
D630,492	S	*	1/2011	Faulkner		
D664,169	S	*	7/2012	Shirai et al.	D15/143
D686,257	S	*	7/2013	Wu	D15/143
D722,628	S	*	2/2015	Kobayashi et al.	D15/143

- (21) Appl. No.: **29/471,576**
- (22) Filed: **Nov. 1, 2013**
- (51) **LOC (10) Cl.** **13-01**
- (52) **U.S. Cl.**
USPC **D13/122; D15/143**
- (58) **Field of Classification Search**
USPC D13/101, 110, 118, 122, 158, 184;
D15/143, 148, 149; 49/139, 324, 339;
310/20, 20.8, 80; 74/89.15, 90.15,
74/490.09, 411.5
CPC H02K 7/06; H02K 7/11; Y10T 74/20354;
Y10T 74/18704; Y10T 74/19637; E05B
81/25; F16H 25/20
See application file for complete search history.

* cited by examiner

Primary Examiner — Derrick Holland
Assistant Examiner — Jennifer O King
(74) *Attorney, Agent, or Firm* — Jafari Law Group, Inc.;
David V. Jafari

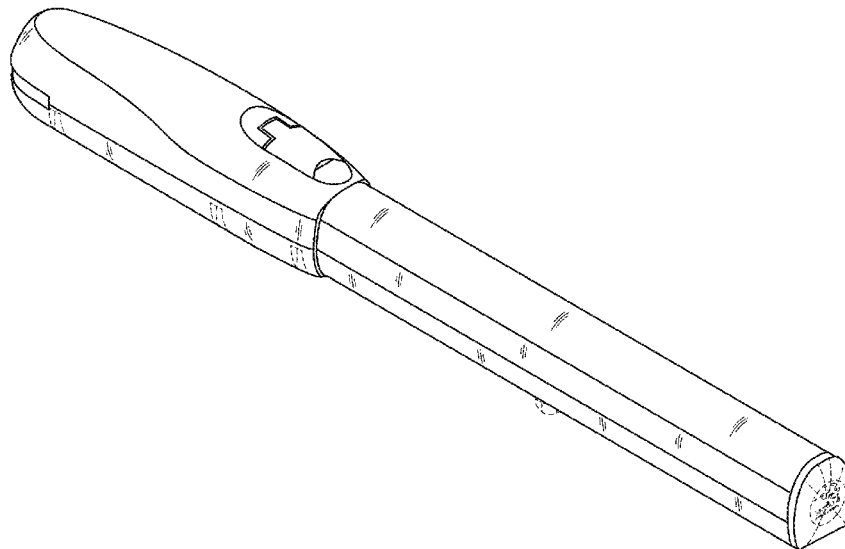
(57) **CLAIM**
The ornamental design for a gate operator housing, as shown and described.

DESCRIPTION

FIG. 1 illustrates a perspective view of a gate operator housing;
FIG. 2 illustrates a right-side view thereof;
FIG. 3 illustrates a left-side view thereof;
FIG. 4 illustrates a top view thereof;
FIG. 5 illustrates a bottom view thereof;
FIG. 6 illustrates a front view thereof; and,
FIG. 7 illustrates a rear view thereof.
The broken lines shown represent unclaimed subject matter and form no part of the claimed design.

1 Claim, 3 Drawing Sheets

- (56) **References Cited**
U.S. PATENT DOCUMENTS
6,100,609 A * 8/2000 Weber 310/12.32
6,336,294 B1 * 1/2002 Kowalczyk et al. 49/339
D457,135 S * 5/2002 Fong et al. D13/110
D473,574 S * 4/2003 Mullet et al. D15/199
D474,215 S * 5/2003 Mullet et al. D15/199



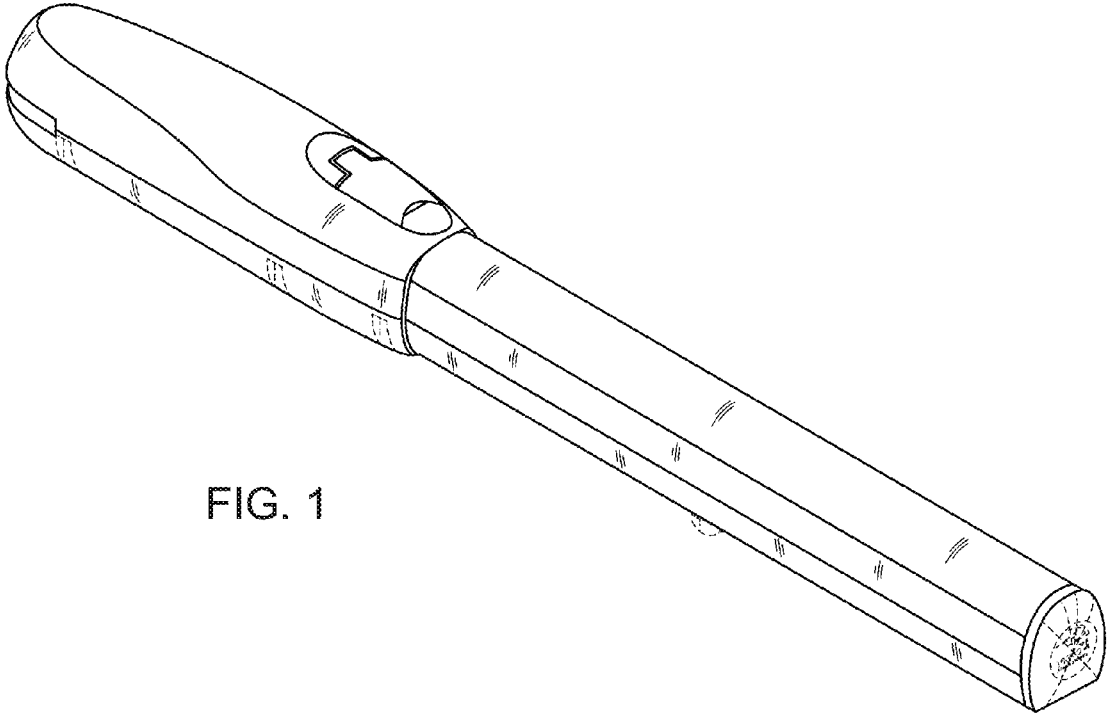


FIG. 1

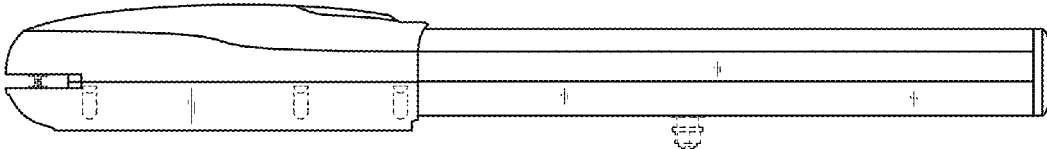


FIG. 2

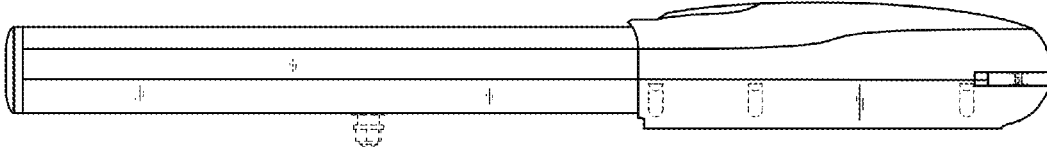


FIG. 3

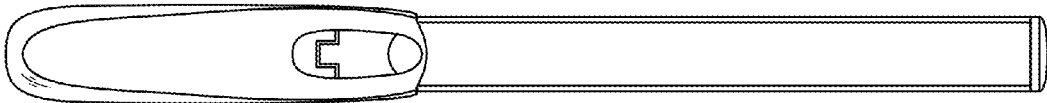


FIG. 4

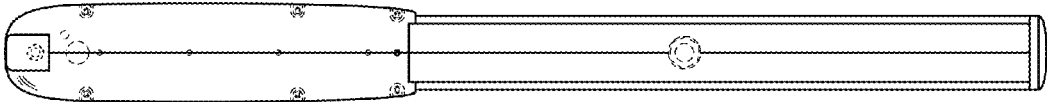


FIG. 5

FIG. 6

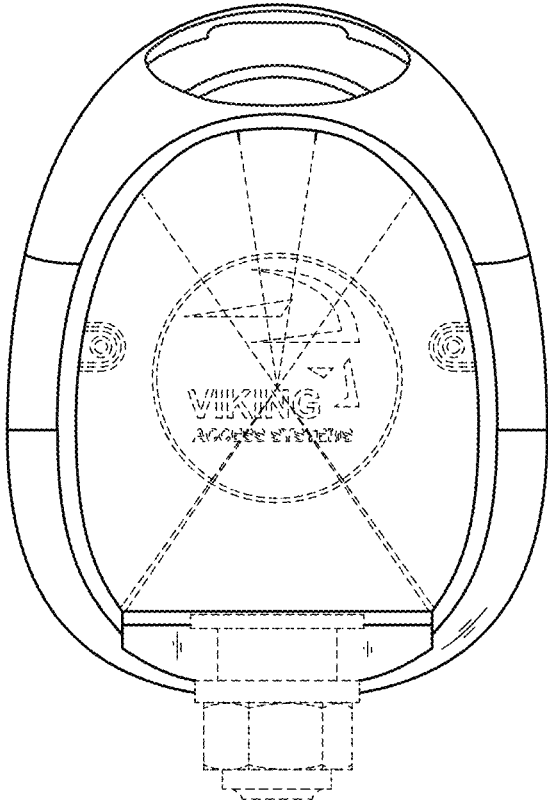


FIG. 7

